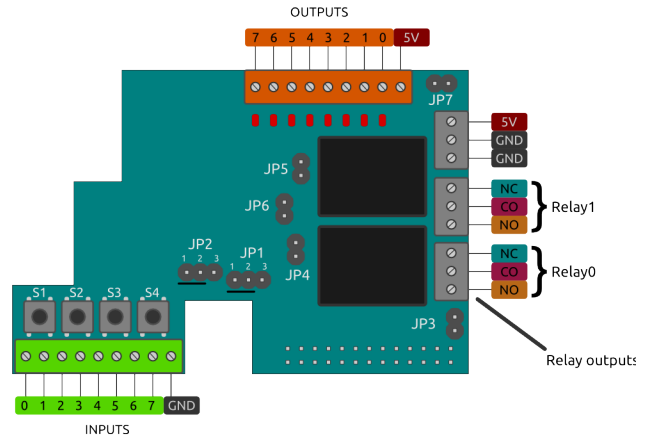


Pi Face on Raspberry Pi 1

Hostname	piface
SSH	pi / devfest2017
Product page	goo.gl/He13Bw
Documentation	goo.gl/gserGi
GitHub	goo.gl/uFycRx
Python library	goo.gl/8XtXzU



- JP1 Address bit 0
- JP2 Address bit 1
- JP3 Connects PiFace™ Digital 5V to Raspberry Pi 5V
- JP4 Connects snubber diodes to 5V
- JP5 Relay1 enabled when bridged
- JP6 Relay0 enabled when bridged
- JP7 Connects 5V power to LEDs & relay coils

