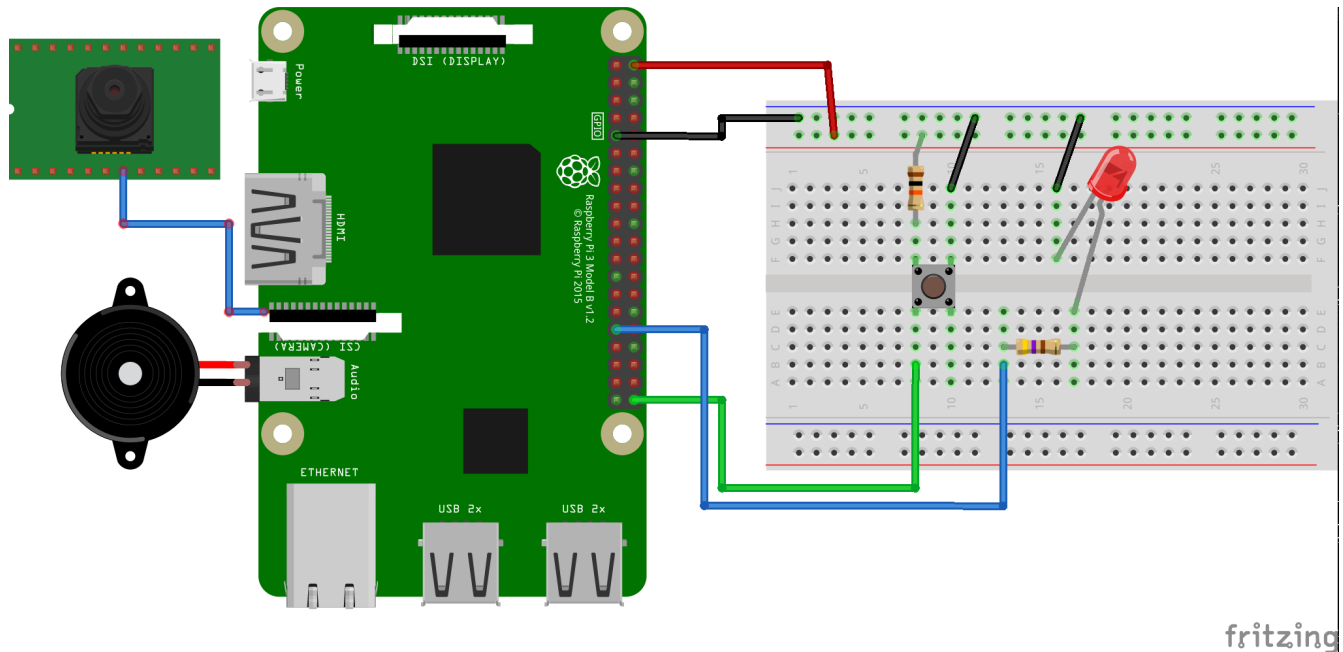


# Google Android Thing on Raspberry Pi 3

Android Things is an Android-based device OS for the Internet of Things. Combined with Weave, this software will play a crucial role in Google's IoT strategy.



Run TensorFlow inference on Android Things

When a GPIO button is pushed, the current image is captured from an attached camera. The captured image is then converted and piped into a TensorFlow model that identifies what is in the image. Up to three labels returned by the TensorFlow network is shown on logcat and on the screen, if there is an attached display. Also, the result is spoken out loud using text-to-speech and sent to an attached speaker, if any.

<b>Introduction</b>	<a href="https://goo.gl/sYU3rr">https://goo.gl/sYU3rr</a>
<b>Projects</b>	<a href="goo.gl/q4yy5A">goo.gl/q4yy5A</a>
<b>Projects samples</b>	<a href="goo.gl/TW5Vkf">goo.gl/TW5Vkf</a>

